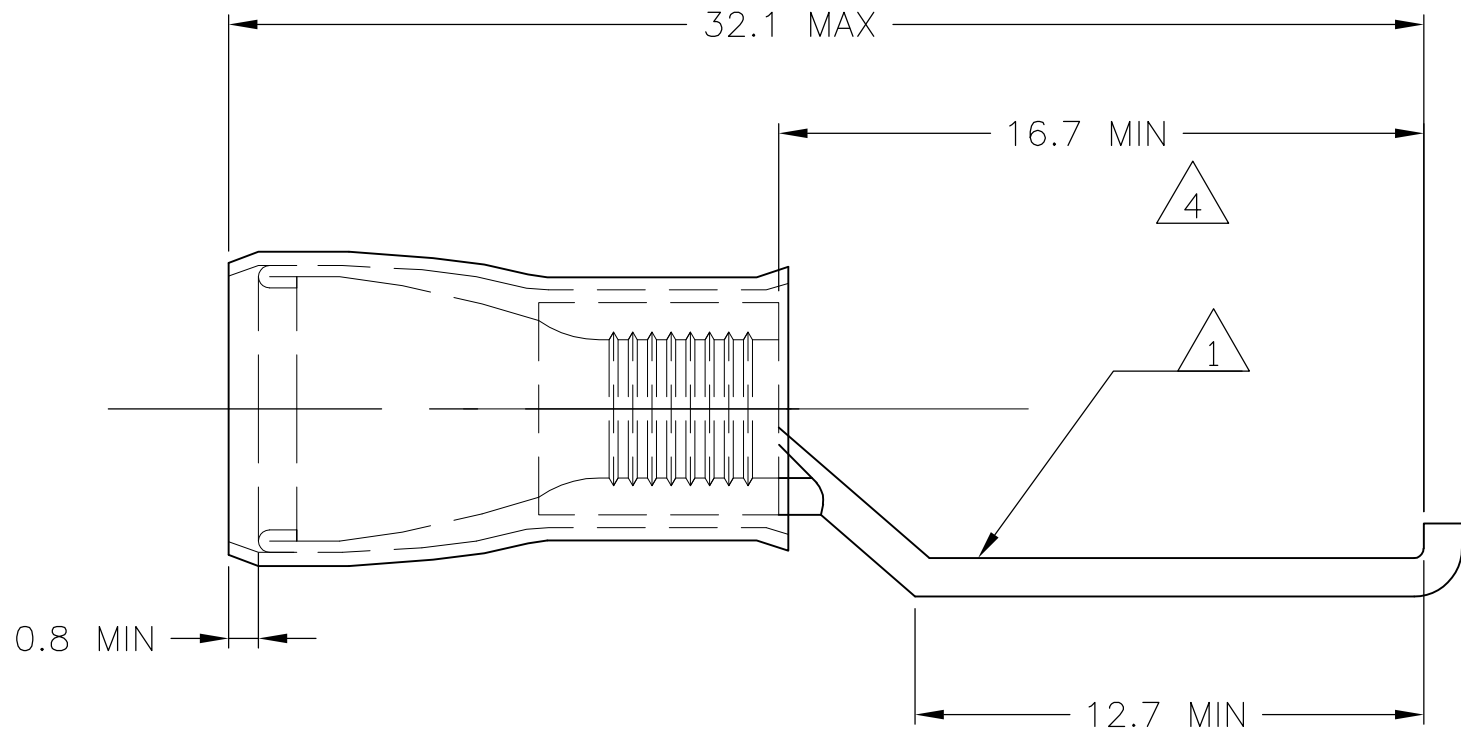


THIS DRAWING IS UNPUBLISHED. RELEASED FOR PUBLICATION
 © COPYRIGHT - BY TYCO ELECTRONICS CORPORATION. ALL RIGHTS RESERVED.

LOC	DIST	REVISIONS					
G	14	P	LTR	DESCRIPTION	DATE	DWN	APVD
			D2	REV PER ECR 08-013956	04JUN08	JR	TM

AMP
WIRE RANGE

12-10 AWG
SOLID OR STRANDED



- 1 STAMP AMP 12-10, LOCATE APPROX AS SHOWN.
- 2 BODY - COPPER PER ASTM B-152 SLEEVE - COPPER PER ASTM B-152 INSULATION - NYLON
- 3 BODY - TIN PLATE PER ASTM B-545 SLEEVE - TIN PLATE PER ASTM B-545 INSULATION - COLOR, BLACK
- 4 DIMENSION APPLIES FROM EDGE OF METAL WIRE BBL TO FLANGE.
- 5 WIRE INSULATION DIA 3.8-6.4
- 6 TONGUE MATERIAL THK 1.07 MAX
- 7 FLANGE WIDTH 4.6

500	LOOSE PC	151471
QTY	DESCRIPTION	PART NO

AMP INCORPORATED
CUSTOMER SERVICE SYSTEMS

FOR ADDITIONAL PRODUCT INFORMATION OR COPIES OF DRAWINGS AND TECHNICAL DOCUMENTS
 PRODUCT INFORMATION CENTER
 1-800-522-6752

FOR APPLICATION TOOLING ASSISTANCE CENTER
 TOOLING INFORMATION
 1-800-722-1111

FOR ORDER ENTRY
 1-800-526-5142

MAX RECOMMENDED OPERATING TEMPERATURE:
105°C

VOLTAGE RATING:
300V MAX

CIRCULAR MIL AREA:
2.62-6.64mm² [5180-13100]
SOLID OR STRANDED

THIS DRAWING IS A CONTROLLED DOCUMENT.

DIMENSIONS: mm

TOLERANCES UNLESS OTHERWISE SPECIFIED:

0 PLC	± -
1 PLC	± -
2 PLC	± 0.20
3 PLC	± -
4 PLC	± -
ANGLES	± -

MATERIAL: - 2

FINISH: - 3

DWN JR RUTH 23FEB2006	 Tyco Electronics Corporation Harrisburg, PA 17105-3608	NAME		RESTRICTED TO	
CHK T MICHIELUTTI 23FEB06		TERMINAL, LIPPED BLADE, P.I.D.G., WIRE SIZE: 12-10 AWG		-	
APVD T MICHIELUTTI 23FEB06		SIZE	CAGE CODE	DRAWING NO	-
PRODUCT SPEC		A3	00779	G-151471	-
APPLICATION SPEC	WEIGHT		CUSTOMER DRAWING	SCALE 5:1	
				SHEET 1 OF 1	
				REV D2	